

SYSTEM 3D VIEW

Table 1 - Connection Specification

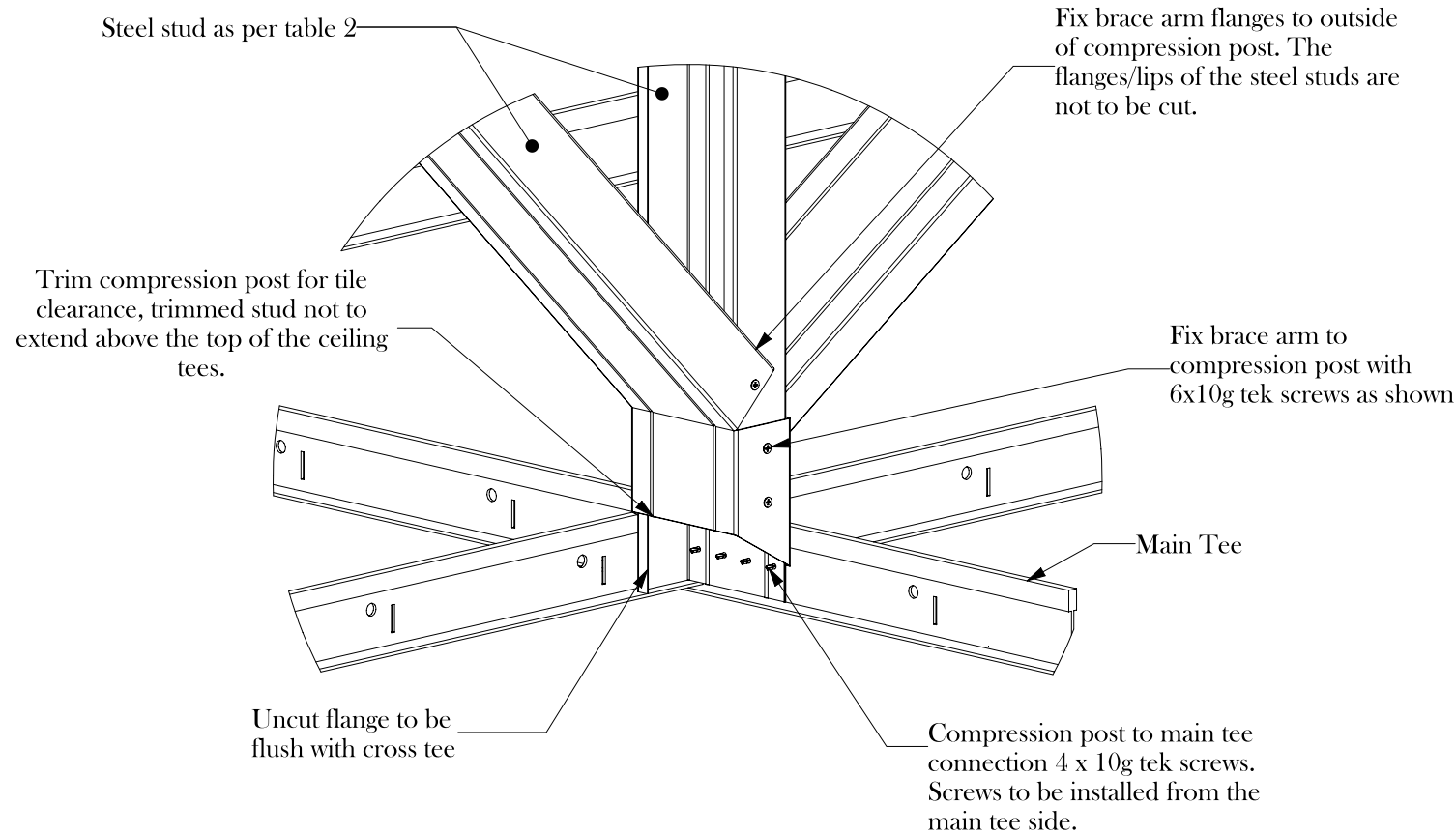
Building Structure	Connection Type
Concrete Slab	2 x HILTI HUS3-H8 screw anchors, 60mm embedment. Minimum 100mm edge distance and spacing
Steel Purlins	4 x 12g Tek screws
Timber Joists	4 x 10g x 50 screws
Steel Beam	2 x M8 bolts

Table 2 - Required Stud Size

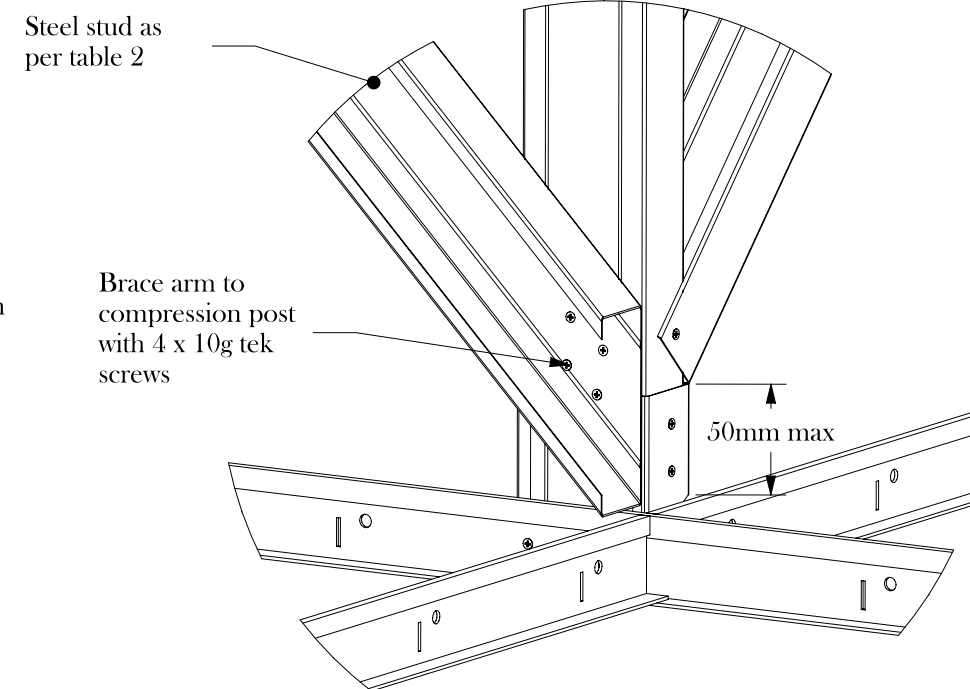
Stud Size	Maximum Plenum Height
64x0.75BMT	1.3 m
92x0.75BMT	1.5 m
92x0.75BMT Boxed	2.3 m
92x1.15BMT Boxed	2.9 m

Notes:

1. Must be used in conjunction with T&R's seismic system and not to be used with any other grid and/or system.
2. Not to be used as a substitute for engineering advise.



**TEE CONNECTION
DETAIL A**



**TEE CONNECTION
DETAIL A - ALTERNATE VIEW**

Title:
Generic Stud Back Brace
CBI Grid

Project: Stud Brace Detail

Scale: NTS